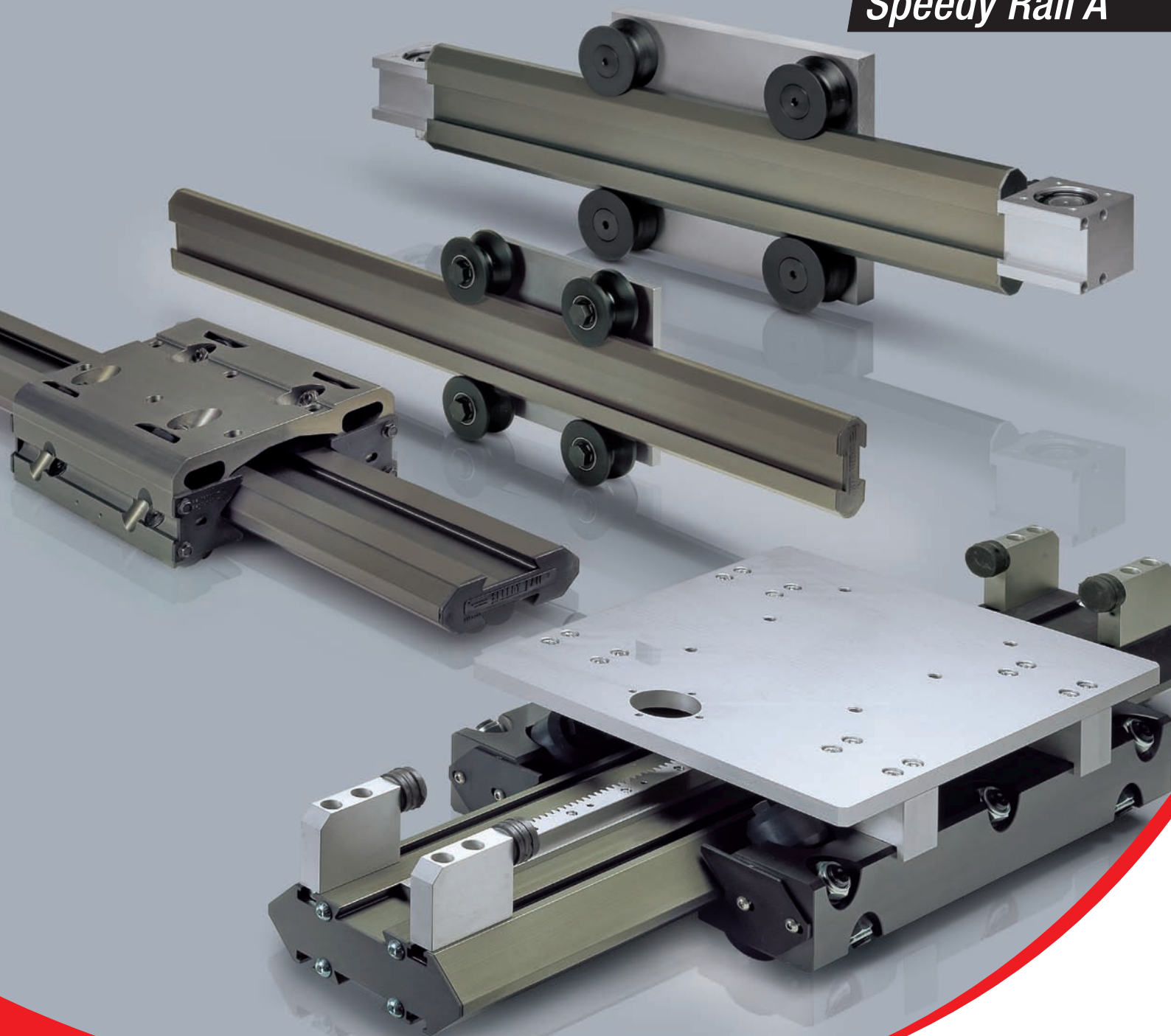


**ROLLON**<sup>®</sup>  
Linear Evolution

**Speedy Rail**

**Speedy Rail A**



**Product Overview**  
English

[www.rollon.com](http://www.rollon.com)

# Speedy Rail

# Speedy Rail A

## Advantages



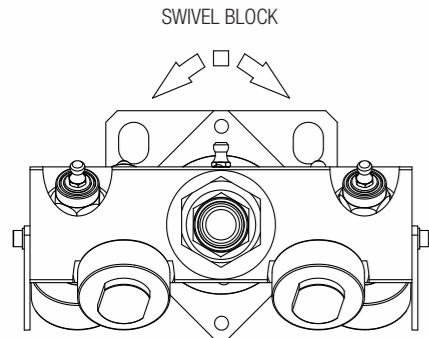
**SPEEDY RAIL** is a special self-supporting and self-aligning rail in extruded aluminum with deep hard anodized surface treatment that provides exceptionally high performance and load capacity with no maintenance or lubrication required. Providing total reliability even in dirty environments with uniquely quiet operation.

This product can be used as a linear guide or actuator.



### High reliability up to 80,000 Km

Thanks to the deep anodized finish of the raceways, we can obtain a hardness of 700 HV for about 60 µm of depth. The swivel block also guarantees optimal distribution of the load between the rollers.



### Self-supporting for greatest design freedom

Light, rigid structural profiles in aluminum do not require bases or structures and additional work and maintenance. All necessary components are available for mounting.



### High technical performance

Supports speeds up to 15 m/s and acceleration up to 10 m/s<sup>2</sup> when outfitted in the version with cylindrical rollers. The lightweight profile guarantees high performance when in a fixed carriage, moving profile configuration.



### High loads of over 3,000 Kg

For gantry configurations using sliders with 8 rollers.



### Optimal reliability in dirty environments

The large sized rollers and the shape of the profile guarantees maximum efficiency even in more difficult environments. The roller coating in plastic compound includes possible hard impurities and residue of hot welds, which lengthens the lifespan of the system.



### Absence of lubrication

The combination of aluminum profiles with rollers coated in plastic compound does not require any lubrication.



### Uniquely quiet

The plastic roller coating guarantees a level of silence during operation that cannot be obtained with steel components.



### Self-aligning system

The ability to absorb misalignment up to ± 4 mm is guaranteed by the swivel mounting of the slider and up to 1.5 mm with V-shaped rollers.



### Use as a linear guide or actuator

In addition to the version with the idle carriage, the system is available with belt or rack and pinion drives.



### Potentially infinite strokes

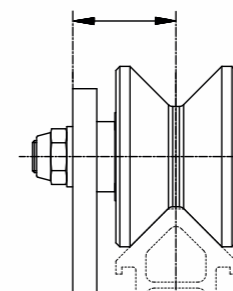
Thanks to easily built, precise jointed versions.



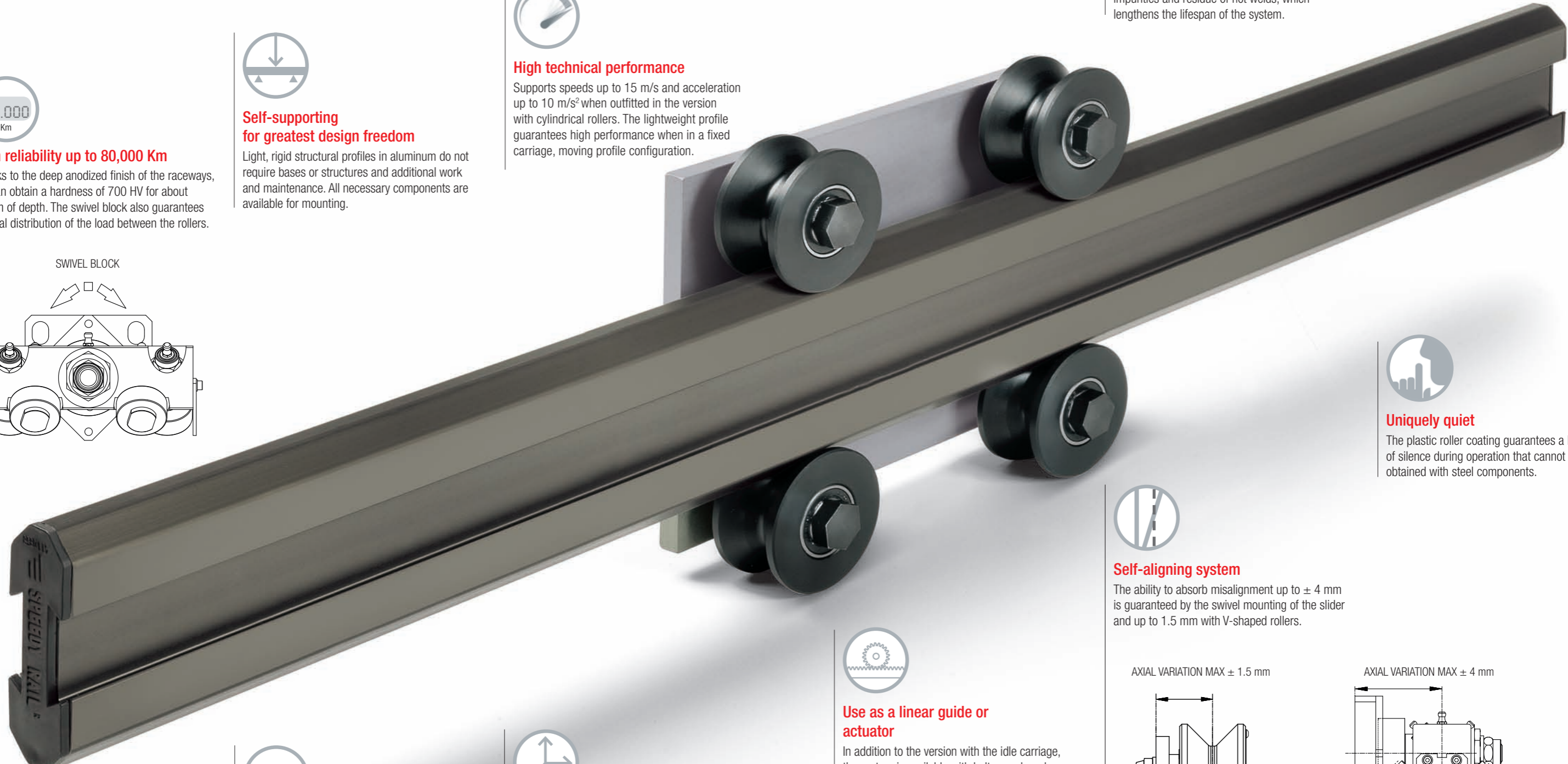
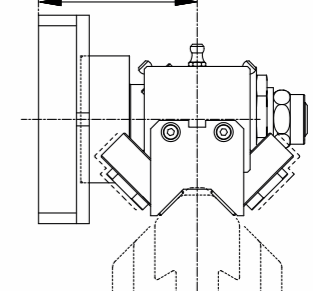
### Multiple axis systems

Ideal for building 2 or 3-axis Cartesian systems for several applications.

AXIAL VARIATION MAX ± 1.5 mm



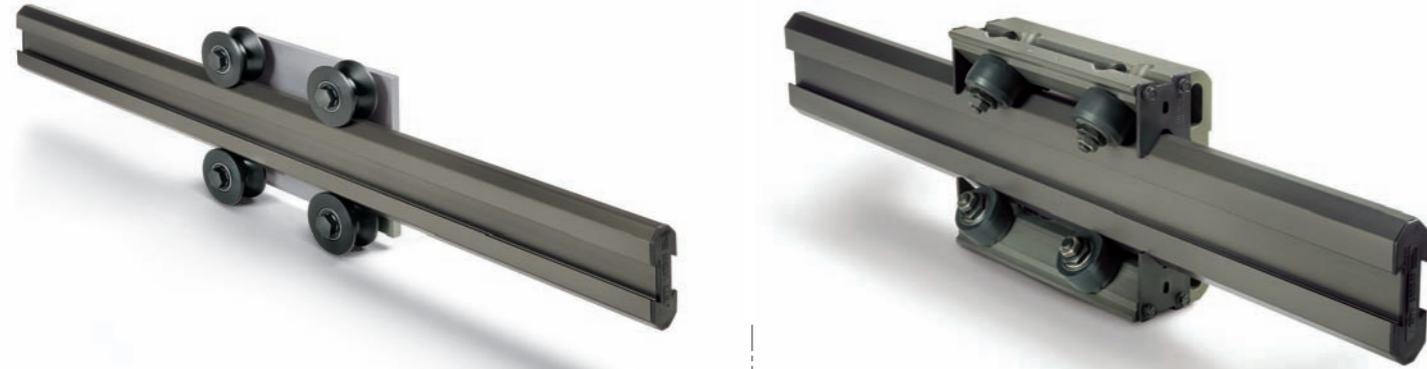
AXIAL VARIATION MAX ± 4 mm



## Configuration options

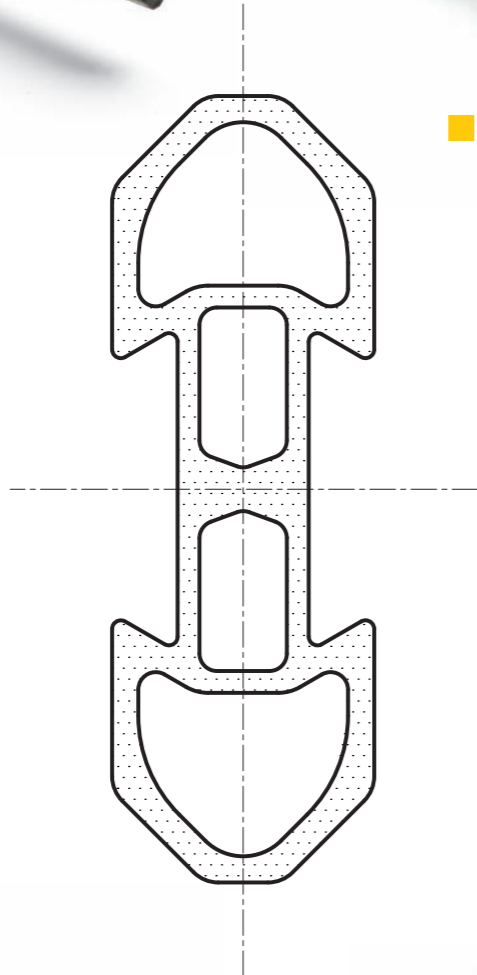


### Sliders

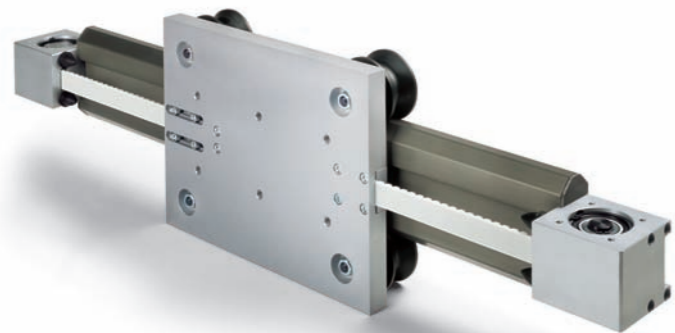


Sliders with V-shaped rollers coated in plastic compound

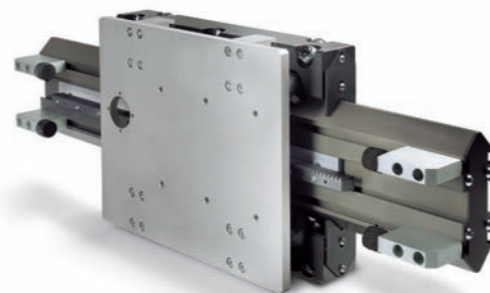
Sliders with cylindrical rollers coated in plastic compound



### Drives



Belt drives



Rack and pinion drives

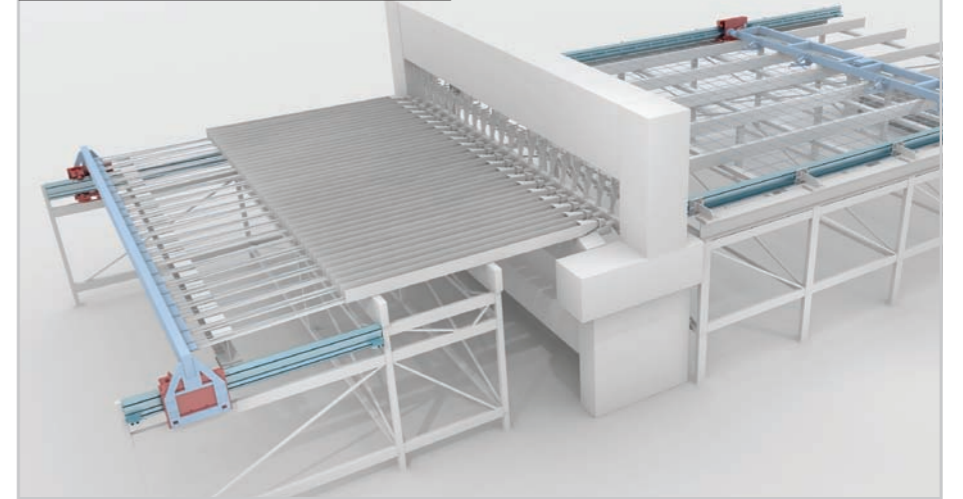
## Applications examples



### Marble drilling machines



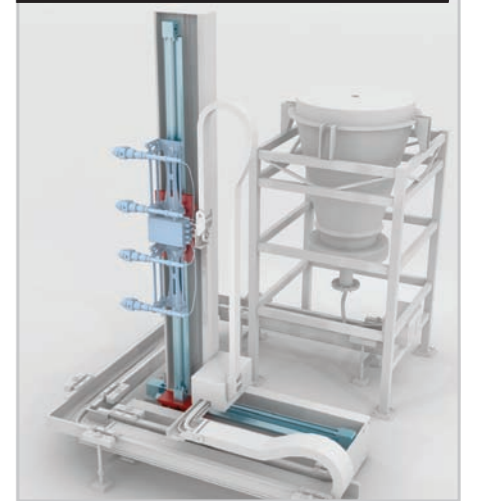
### Welding machines



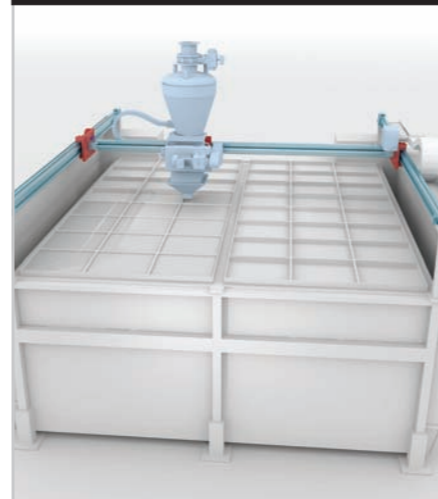
### Wood working machines



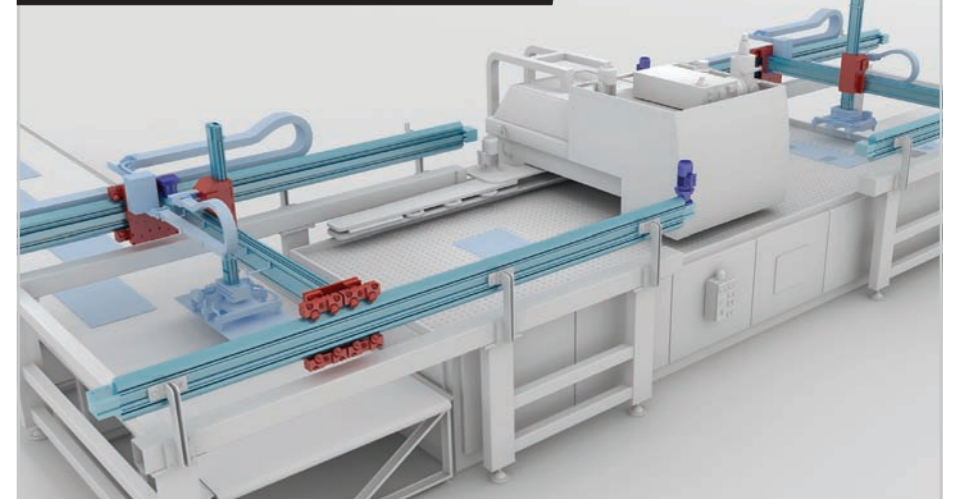
### Painting machines



### Ceramic working machines



### Pick and place of machined pieces



## Technical features overview



Reference		Shape of rail	Anodized raceways	Self-alignment	Slider		Anticorrosion	Size	Max. working load capacity per slider* [N]		Max. rail length** [mm]	Max. running speed [m/s]	Max. acceleration [m/s <sup>2</sup> ]	Operating temperature
Family	Product				V rollers	Cylindrical rollers			C <sub>0</sub> rad	C <sub>0</sub> ax				
Speedy Rail	SR35		√	++				35	400	400	6500	8	8	-30° C / +80° C
	SRC48		√	+				48	540	400	7500	8	8	-30° C / +80° C
	SR60		√	++				60	800	400	7000	8	8	-30° C / +80° C
	SR90		√	++				90	1400	1120	7500	8	8	-30° C / +80° C
	SR120		√	+++				120	7241	7241	7500	15	10	-30° C / +80° C
	SR180		√	+++				180	14482	14482	7500	15	10	-30° C / +80° C
	SR250		√	+++				250	14482	14482	7500	15	10	-30° C / +80° C

The information shown must be verified for the specific application.

\* The working loads indicated refer to a theoretical life of guides and carriages of 80.000 Km

\*\* A longer stroke is available for jointed versions.

Reference		Cursor		Driving		Anticorrosion	Protection	Size	Max. working load capacity per carriage* [N]			Max. working moments per carriage* [Nm]			Max. running speed [m/s]	Max. acceleration [m/s <sup>2</sup> ]	Repeatability accuracy [mm]	Max. travel or stroke (per system)** [mm]
Family	Product	V rollers	Cylindrical rollers	Rack and pinion	Belt				F <sub>x</sub>	F <sub>y</sub>	F <sub>z</sub>	M <sub>x</sub>	M <sub>y</sub>	M <sub>z</sub>				
Speedy Rail A	SRA60							60	465	800	400	8	27	20	8	8	+/-0,15	4000
	SRA120							120	1160	1400	800	32	96	168	8	8	+/-0,15	7100
	SRA180							180	2000	3620	3620	245	299	299	15	10	+/-0,15	7100
	SRA250							250	4000	3620	3620	292	362	362	15	10	+/-0,15	7100

The information shown must be verified for the specific application.

\* The working loads indicated refer to a theoretical life of guides and carriages of 80.000 Km

\*\* A longer stroke is available for jointed versions.



**ROLLON S.p.A. - ITALY** 

Via Trieste 26  
I-20871 Vimercate (MB)  
Phone: (+39) 039 62 59 1  
www.rollon.it - infocom@rollon.it

● Rollon Branches & Rep. Offices  
● Distributors

**Branches:**

**ROLLON GmbH - GERMANY** 

Bonner Strasse 317-319  
D-40589 Düsseldorf  
Phone: (+49) 211 95 747 0  
www.rollon.de - info@rollon.de

**ROLLON B.V. - NETHERLANDS** 

Ringbaan Zuid 8  
6905 DB Zevenaar  
Phone: (+31) 316 581 999  
www.rollon.nl - info@rollon.nl

**Rep. Offices:**

**ROLLON S.p.A. - RUSSIA** 

117105, Moscow, Varshavskoye  
shosse 17, building 1  
Phone: +7 (495) 508-10-70  
www.rollon.ru - info@rollon.ru

**ROLLON S.A.R.L. - FRANCE** 

Les Jardins d'Eole, 2 allée des Séquoias  
F-69760 Limonest  
Phone: (+33) (0) 4 74 71 93 30  
www.rollon.fr - infocom@rollon.fr

**ROLLON Corporation - USA** 

101 Bilby Road, Suite B  
Hackettstown, NJ 07840  
Phone: (+1) 973 300 5492  
www.rolloncorp.com - info@rolloncorp.com

**ROLLON Ltd - UK** 

The Works 6 West Street Olney  
Buckinghamshire, United Kingdom, MK46 5 HR  
Phone: +44 (0) 1234964024  
www.rollon.uk.com - info@rollon.uk.com

**ROLLON Ltd - CHINA** 

No. 16 Jin Wen Road,  
China, Shanghai, 201323  
Phone: +86 21 5811 8288  
www.rollon.cn.com - info@rollon.cn.com

**ROLLON India Pvt. Ltd. - INDIA** 

1st floor, Regus Gem Business Centre, 26/1  
Hosur Road, Bommanahalli, Bangalore 560068  
Phone: (+91) 80 67027066  
www.rollonindia.in - info@rollonindia.in

**Regional Manager:**

**ROLLON - SOUTH AMERICA** 

R. Joaquim Floriano, 397, 2o. andar  
Itaim Bibi - 04534-011, São Paulo, BRASIL  
Phone: +55 (11) 3198 3645  
www.rollonbrasil.com.br - info@rollonbrasil.com

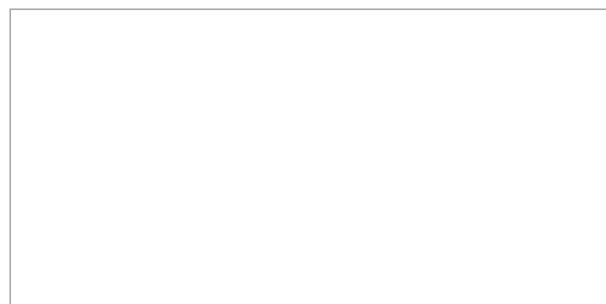
**ROLLON - JAPAN** 

3F Shiodome Building, 1-2-20 Kaigan, Minato-ku,  
Tokyo 105-0022 Japan  
Phone +81 3 6721 8487  
www.rollon.jp - info@rollon.jp

Consult the other ranges of products



Distributor



All addresses of our global sales partners can also be found at [www.rollon.com](http://www.rollon.com)